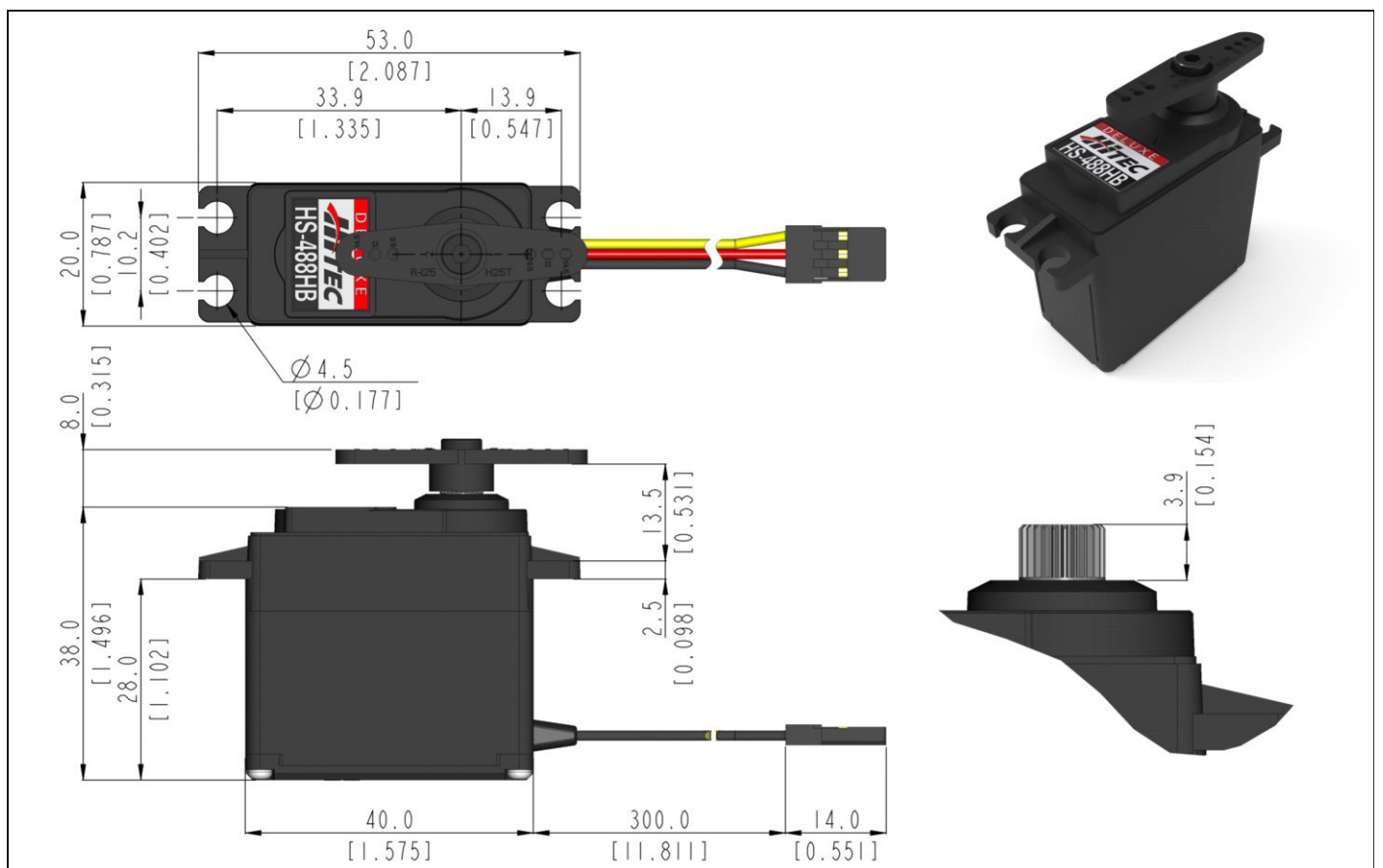


HS-488HB General Specification.



Control System	PWM			-
Position Sensor Type	Contact Analog Potentiometer			-
Motor Type	Cored Carbon Brush			At 25°C(±10%), 45%RH(±10%) <u>measurement environment</u>
Operating Voltage Range	4.8 ~ 6.0V			
Voltage	4.8V	6.0V	-	
No Load Speed	0.22sec/60°	0.18sec/60°	-	
Stall Torque	4.8kgf-cm (66.66oz-in)	6.0kgf-cm (83.32oz-in)	-	
Peak Efficiency Torque	1.0kgf-cm (13.9 oz-in)	1.2kgf-cm (16.7 oz-in)	-	
Standing Current	8mA	10mA	-	
No Load Running Current	180mA	200mA	-	
Stall Current	1,000mA	1,200mA	-	
Deadband	3μs	3μs	-	
Operating Travel	Default: ±60°, Non-programmable / Pulse Width: 900~2100μs(Center:1500μs)			-
Continuous Rotation	n/a			-
Operating Temperature Range	-20°C ~ +60°C (-4°F ~ +140°F)			-
Storage Temperature Range	-30°C ~ +80°C (-22°F ~ +176°F)			-
Connector Wire Length	300mm (11.811inch)			
Connector Wire Gauge	24AWG			
Dimensions	39.8mm x 19.8mm x 38.0mm (1.567inch x 0.780inch x 1.496inch)			General Tolerance ±0.1mm
Weight	45.0g (1.587oz)			Excluding the weight of Horn
Bearing Type	2 Ball Bearing			-
Case Material	Engineering Plastic			-
Gear Material	4 Heavy Duty Resin Gears			-
Gear Train Backlash	Max 0.5°			-
Horn Gear Spline	25T(Ø6.0)			-
IP-Rating	IP54			-
Servo Amplifier Type	Analog Contorller			-



1:1 scale (Unit : mm[inch])

- This product should not be used directly on the human body for medical purposes.
- All specifications are subject to change without notice.



HitecRCD.com